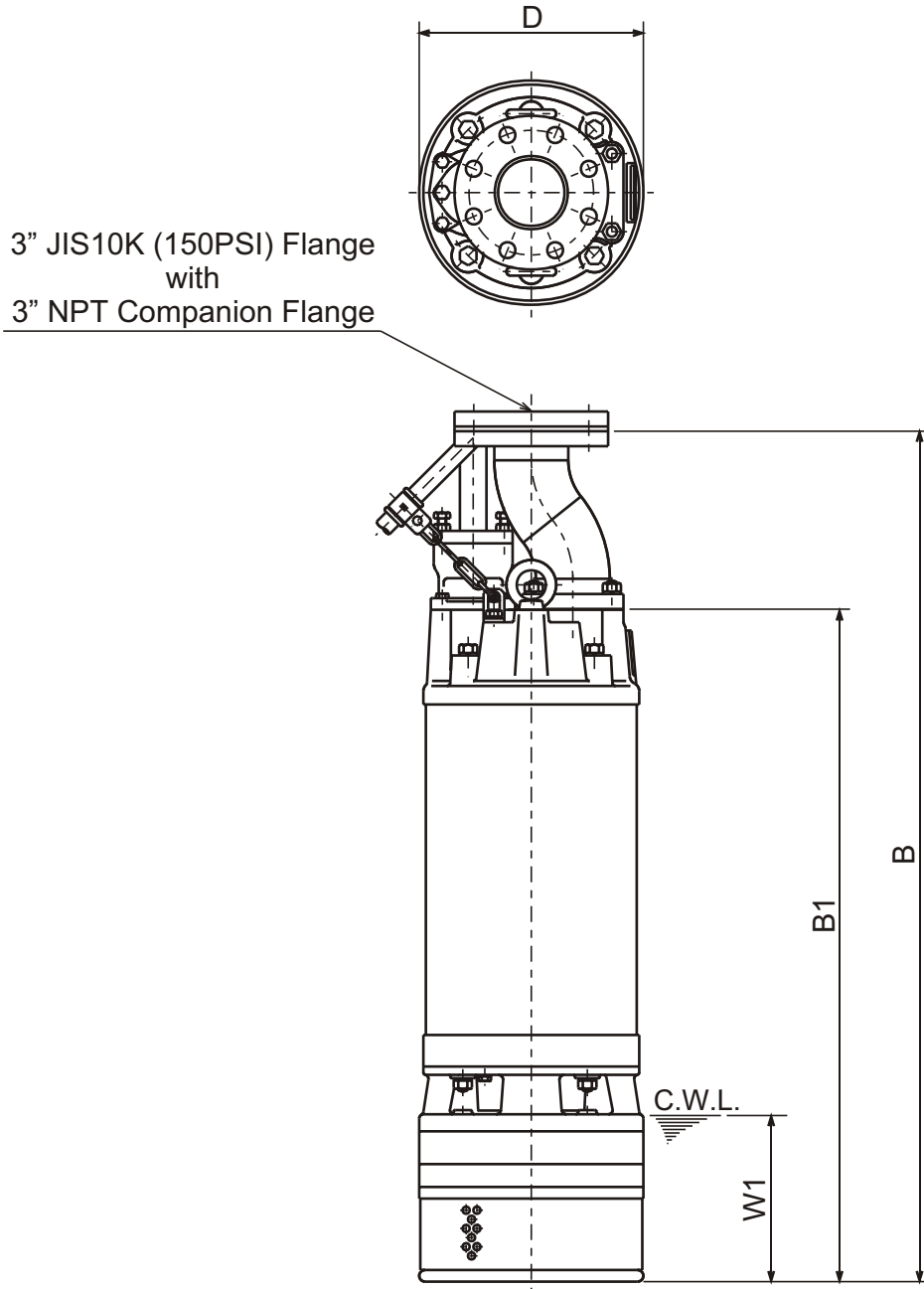




LH-W SERIES
HIGH HEAD - DEWATERING PUMPS

DIMENSIONS

LH311W-60



C.W.L. : Continuous running Water Level

DIMENSIONS:USCS (Inch)

Model	HP	NOM. SIZE	Pump & Motor			C.W.L.	*Wt. (lbs.)
			B	B1	D	W1	
LH311W-60	15	3"	40 5/16	31 7/8	10 5/8	7 7/8	287

DIMENSIONS:METRIC (mm)

*Excluding Cable

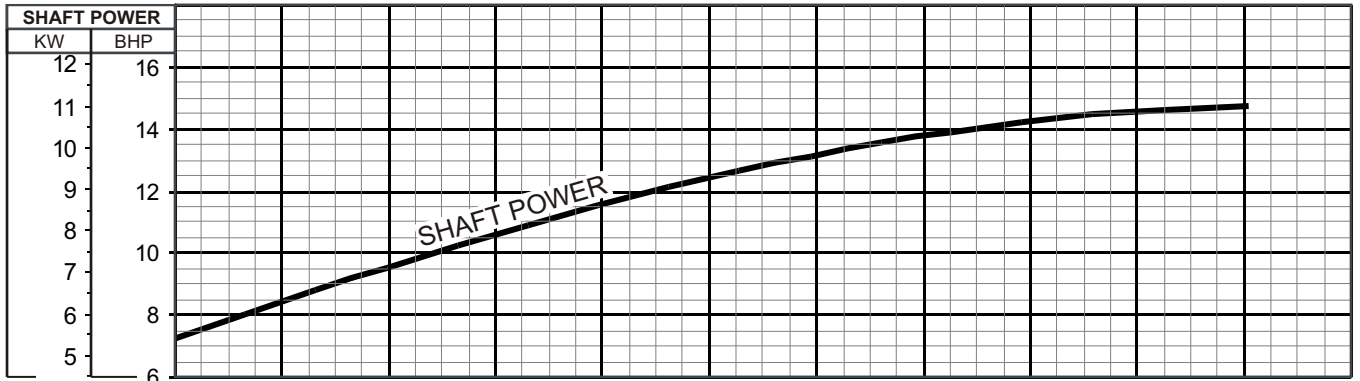
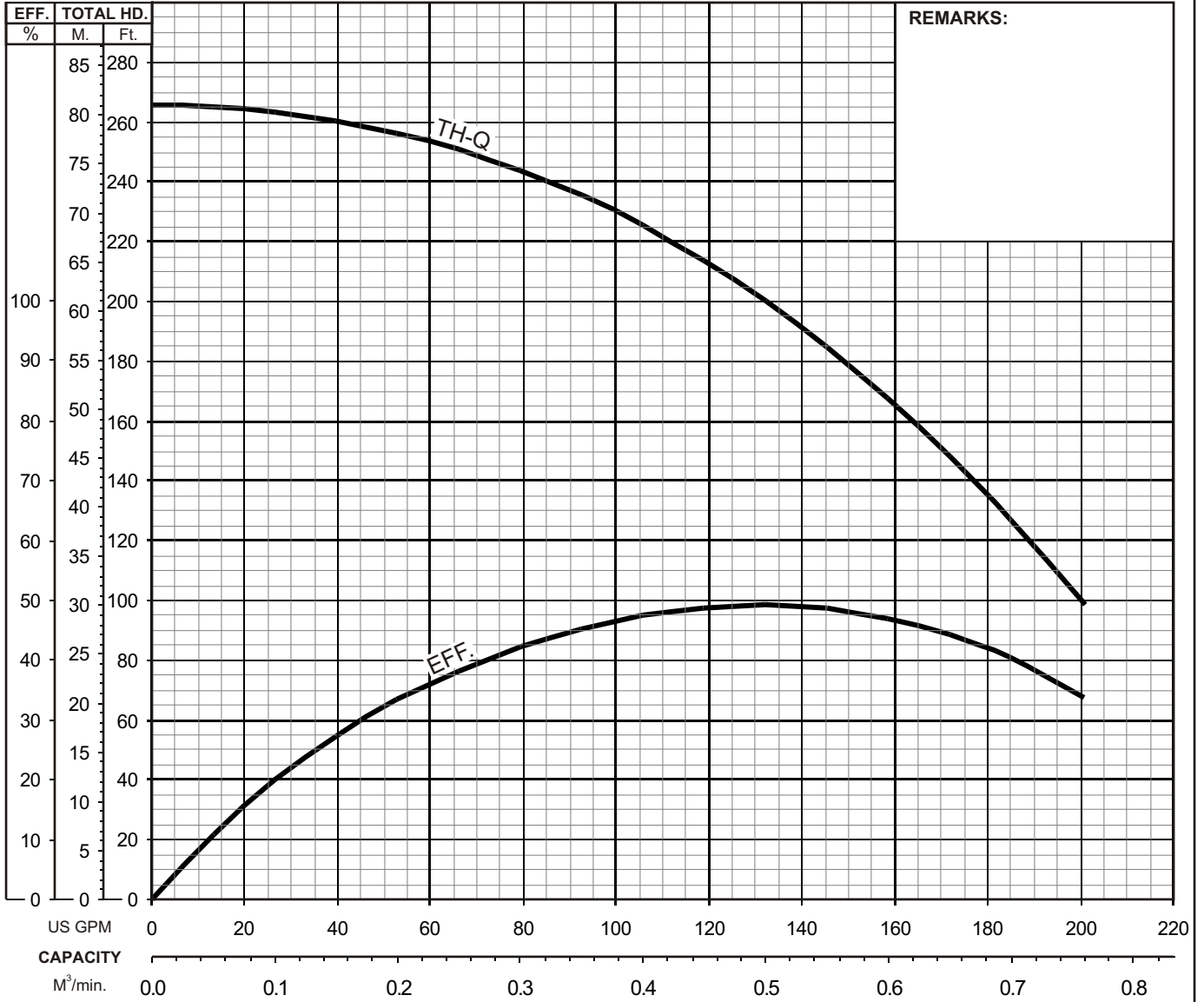
Model	HP	NOM. SIZE	Pump & Motor			C.W.L.	*Wt. (kg)
			B	B1	D	W1	
LH311W-60	11	80	1024	809	270	200	130



LH-W SERIES HIGH HEAD - DEWATERING PUMPS

PERFORMANCE CURVE

MODEL	BORE	HP	KW	RPM	SOLIDS DIA	LIQUID	SG.	VISCOSITY	TEMP.
LH311W-60	3"/80mm	15	11	3465	0.334"/8.5mm	Water	1.0	1.123 cSt	60°F
PUMP TYPE	PHASE	VOLTAGE		AMPERAGE		HZ	STARTING METHOD		INS. CLASS
High Head Dewatering Pump	3	208/230/460/575		42.0/37.0/18.5/14.5		60	Direct On Line		B
CURVE No.	DATE	PHASE	VOLTAGE	AMPERAGE	HZ	STARTING METHOD		INS. CLASS	
-	-	-	-	-	-	-		-	

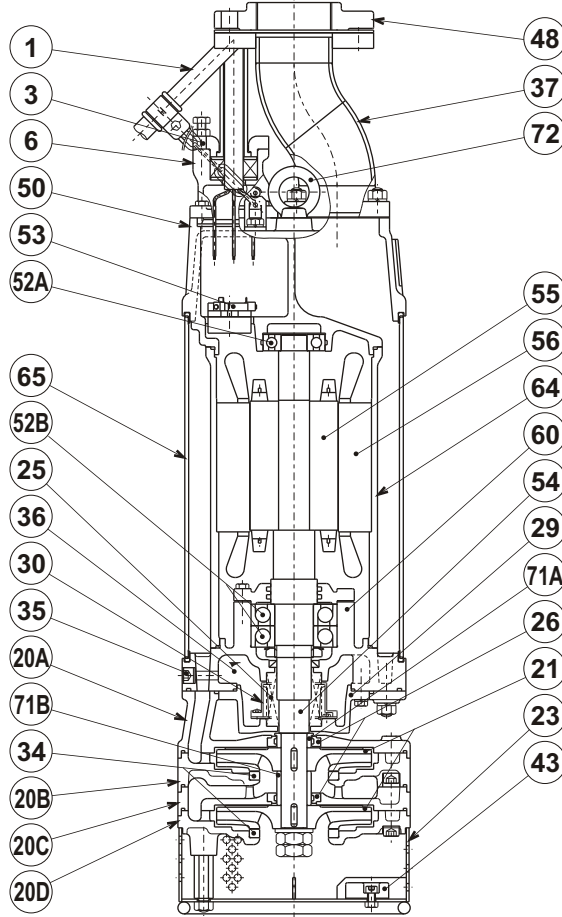




LH-W SERIES
HIGH HEAD - DEWATERING PUMPS

SECTIONAL VIEW

LH311W-60



ITEM#	DESCRIPTION	MAIN MATERIAL / NOTE	ASTM, AISI CODE	RELATED EN CODE	Q'TY
1	Power Cable	Chloroprene Sheath AWG8/4-65ft			1
3	Gland	Cast Iron	A48M Class30B	EN 1561 GJL-200	1
6	Stuffing Box	Cast Iron	A48M Class30B	EN 1561 GJL-200	1
20A	Upper Pump Casing	Ductile Cast Iron	A536 65-45-12	EN 1563 GJS-450-10	1
20B	Lower Pump Casing	Cast Iron	A48M Class30B	EN 1561 GJL-200	1
20C	Upper Pump Casing	Cast Iron	A48M Class30B	EN 1561 GJL-200	1
20D	Lower Pump Casing	Cast Iron	A48M Class30B	EN 1561 GJL-200	1
21	Impeller	High Chrome Cast Iron	A532 Class TypeA	DIN 1695 G-X260Cr27	2
23	Suction Strainer	Steel	A283 Grade D	EN 10025 S275	1
25	Mechanical Seal	Silicon Carbide / HT-3540N			1
26	Labyrinth Ring	Stainless Steel	S 30400	1.4301	2
29	Oil Casing	Ductile Cast Iron	A536 65-45-12	EN 1563 GJS-450-10	1
30	Oil Lifter	PBT Resin W/GF40			1
34	Mouth Ring	High Chrome Cast Iron	A532 Class TypeA	DIN 1695 G-X260Cr27	2
35	Oil Plug	Stainless Steel	S 30400	1.4301	1
36	Lubricant	Turbine Oil ISO VG32 or SAE 10W-20			
37	Discharge Pipe	Steel Pipe (& Steel) / 3" JIS10K	A53 Type F (& A283 Grade D)	DIN 1615 St 33 (& EN 10025 S275)	1
43	Cathodic Protection Plate	Zinc Anode			2
48	Companion Flange	Cast Iron / NPT 3" JIS10K	A48M Class30B	EN 1561 GJL-200	1
50	Motor Bracket	Cast Iron	A48M Class30B	EN 1561 GJL-200	1
52A	Upper Bearing	#6306ZZC3			1
52B	Lower Bearing	#7309DBC3			1
53	Motor Protector				1
54	Shaft	Stainless Steel	S 42000	1.4028	1
55	Rotor				1
56	Stator				1
60	Bearing Housing	Cast Iron	A48M Class30B	EN 1561 GJL-200	1
64	Motor Housing	Cast Iron	A48M Class30B	EN 1561 GJL-200	1
65	Outer Cover	Steel	A283 Grade D	EN 10025 S275	1
71A	Shaft Sleeve (Upper)	Stainless Steel	S 40300	1.4000	1
71B	Shaft Sleeve (Lower)	Stainless Steel	S 40300	1.4000	1
72	Lifting Lug Bolt	Stainless Steel	S 30400	1.4301	2

PARTS LIST		HI HEAD DEWATERING PUMP				10/17/2017
ITEM	PART No.	DESCRIPTION	QTY	SIZE	MATERIAL	NOTES
1	001-844-49	Cabtyre Cable Set (65') 60Hz (USA)	1	2PNCTF4Cx8mm2	GHZ	
2	010-122-10	Cable Clip Rubber	1	No.2	NBR	
3	010-120-18	Cable Clip	1	No.2-1	SPC	
4	141-004-33	Hex.Nut	1	M6	S35C	
5	140-032-37	Hex.Bolt	1	M6x15	SWRM	
6	095-131-18	Chain	1	4mm(3L)	SS	
7	011-110-11	Shackle	1	6mm(M8.SC)	SS	
8	140-076-17	Hex.Bolt	2	M10x30	SUS304	
9	003-183-23	Gland	1	GHZ-311W	FC	
10	002-103-26	Cable Protection Tube	1	No.3	NR	
11	005-122-17	Bush Washer	1	d23xd53.5x3.2t	SPC	
12	004-129-11	Cable Bush 60Hz (USA)	1	d22.5xd54x25l	NBR	
13	005-122-17	Bush Washer	1	d23xd53.5x3.2t	SPC	
14	140-055-10	Hex.Bolt	4	M8x25	SUS304	
15	006-160-10	Stuffing Box	1	GHZ-311W	FC	
16	122-128-19	O-Ring	1	G-85(84.4xd3.1)	NBR	*
17	009-129-16	Terminal	4	E (Small)	CU	
18	009-101-12	Terminal(C/W Screw)	4	d12x(d6.6xd6.6)x25l	C3604	
19	009-129-16	Terminal	4	E (Small)	CU	
20	002-129-15	Heat Shrink Tube (Sold per meter)	m	EVA(d14x1t)	(Vm)	
21	002-132-11	Heat Shrink Tube (Sold per meter)	m	A4(d17x0.27t)	(Vm)	
22	140-099-16	Hex.Bolt	4	M12x40	SUS304	
23	142-165-10	Spring Washer	4	M12	SUS304	
24	037-321-17	Flanged Discharge Pipe	1	80mm(GHZ-311W)	SGP+SS	
24-1	140-128-15	Bolt	8	M16x60	SUS304	
24-2	048-138-19	Companion Flange 3" NPT	1	JIS10K x NPT3"	FC	
24-3	121-105-33	Gasket (Companion Flange)	1	JIS10K x 80mm	NBR	replaces OLD part# 121-105-17
24-4	142-166-11	Spring Washer	8	M16	SUS304	
24-5	141-008-11	Nut	8	M16	SUS304	
25	121-373-18	Packing	1	P.C.133xd100x1t	THREE SHEET	*
26	143-014-16	Pan Screw	1	M4x8	SWRM	
27	142-124-46	Plain Washer	1	M4	C3604	
28	009-166-15	Earth Terminal	1Set	8mm2x190L		
29	072-107-27	Eye Bolt	2	M16	SUS304	
30	140-074-15	Hex.Bolt	1	M10x20	SUS304	
31	142-164-19	Spring Washer	1	M10	SUS304	
32	070-103-10	L-Shape Fitting	1	KT-55	SPC	
33	140-112-16	Hex.Bolt	4	M12x110	SUS304	

* Indicates items included in set

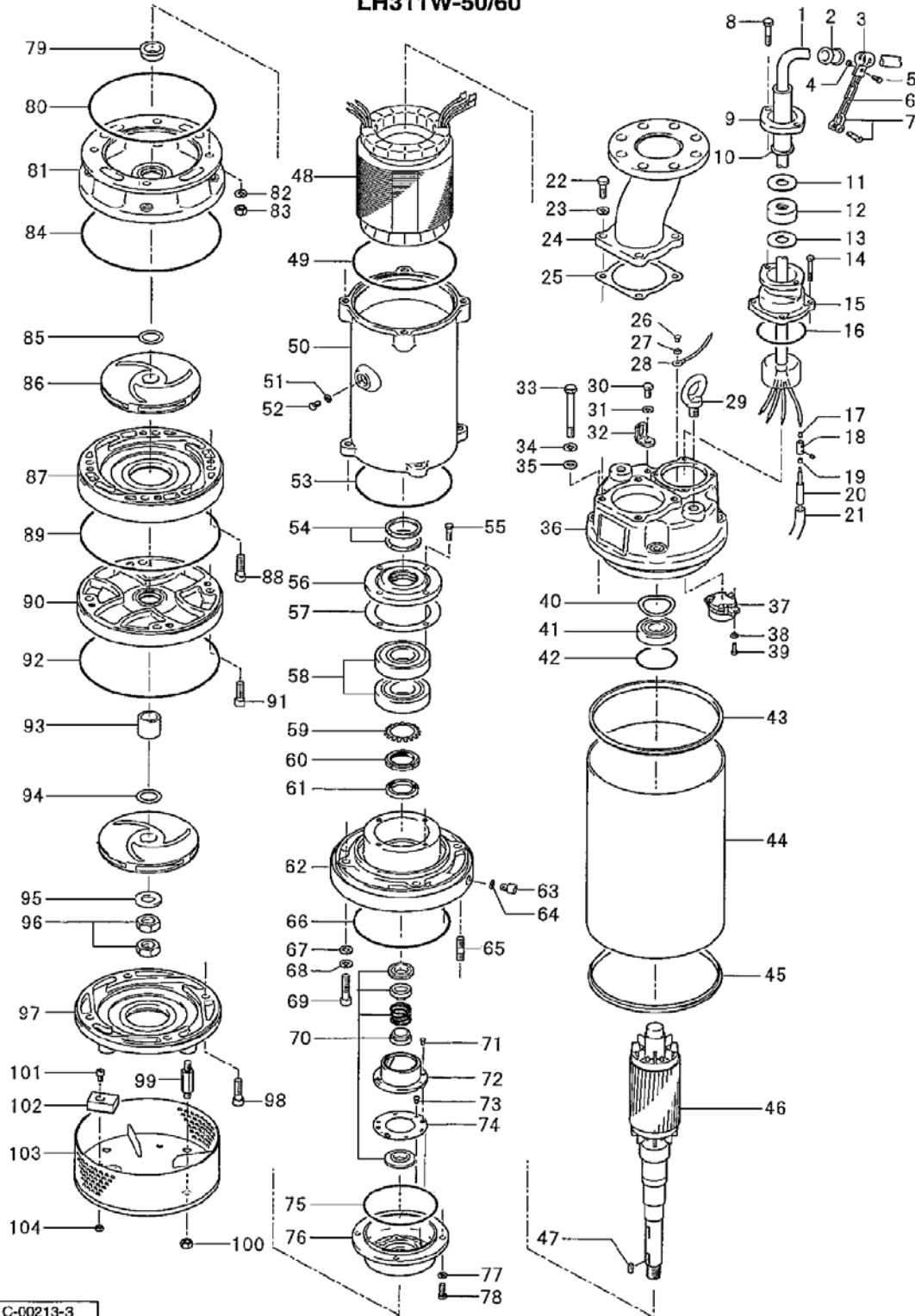
PARTS LIST		HI HEAD DEWATERING PUMP				10/17/2017
ITEM	PART No.	DESCRIPTION	QTY	SIZE	MATERIAL	NOTES
34	142-165-10	Spring Washer	4	M12	SUS304	
35	142-298-13	Seal Washer	4	SM-12	SUS+NBR	*
36	050-397-28	Motor Bracket	1		FC	
37	053-332-11	Motor Protector 230V-60Hz(USA)	1	KA315-JNX00-F	(B.C)	
	053-000-25	Motor Protector 460V-60Hz(USA)	1	KA315-JKVL00	(B.C)	
		Motor Protector 575V-60Hz(USA)	1			
38	142-124-20	Plain Washer	2	M4	SPC	
39	143-016-18	Pan Screw	2	M4x12	SWRM	
40	142-198-12	Wave Washer	1	6306	SK5	
41	052-109-14	Bearing	1	6306ZZC3		
42	122-245-13	O-Ring	1	71.4xd3.1	NBR	*
43	121-422-13	Packing	1	d234.5xd245.9x12.5t	NBR	*
44	065-232-17	Outer Cover	1	GHZ-311W	SS	
45	121-422-13	Packing	1	d234.5xd245.9x12.5t	NBR	*
46	055-723-19	Rotor	1Set			
47	147-126-14	Impeller Key	2	7x7x20L	SUS420	
48		Stator 230V-60Hz(USA)	1Set			
	056-002-07	Stator 460V-60Hz(USA)	1Set			
	056-002-08	Stator 575V-60Hz(USA)	1Set			
49	122-337-13	O-Ring	1	183.74xd3.53	NBR	*
50	064-464-17	Motor Frame	1		FC	
51	142-337-15	Seal Washer	1	SM-8	SUS+NBR	
52	140-421-11	Hex.Bolt	1	M8x14	SUS403	
53	122-431-18	O-Ring (Head Cover/M.Frame)	1	171.04xd3.53	NBR	*
54	121-424-15	Packing	2	5x5.5x185l	Felt	
55	140-056-37	Hex.Bolt	4	M8x30	SWRM	
56	062-207-14	Bearing Cover	1	d54.3xd140x24t	FC	
57	121-423-14	Packing	1	d101xd138x1.5t	NBR	*
58	052-118-16	Bearing	1Set	7309ADBC3		
59	142-242-12	Bearing Washer	1	AW09	SPCC	
60	141-074-18	Bearing Nut	1	AN09	SS	
61	026-271-17	Oil Seal	1	SC-40588	NBR	
62	060-419-28	Bearing Housing	1		FC	
63	035-113-18	Oil Plug	1	M12x14	SUS304	
64	121-247-12	Packing	1	d12.3xd18x2t	PE	*
65	144-142-17	Stud Bolt	4	M12x50(15/20)	SUS304	
66	122-334-10	O-Ring	1	170xd3.8	NBR	*
67	142-298-13	Seal Washer	4	SM-12	SUS+NBR	

PARTS LIST		HI HEAD DEWATERING PUMP				10/17/2017
ITEM	PART No.	DESCRIPTION	QTY	SIZE	MATERIAL	NOTES
68	142-165-10	Spring Washer	4	M12	SUS304	
69	140-306-19	Hex.Socket Cap Bolt	4	M12x55	SUS304	
70	025-000-03	Mechanical Seal	1	HT-3540N	SiC	
71	143-070-23	Pan Screw	2	M5x6	SWRM	
72	030-137-13	Oil Lifter	1	HT-3540	Resin	
73	143-070-10	Pan Screw	6	M5x6	SWRM	
74	030-146-15	Seal Stopper	1	HT-3540	SPCC	
75	122-137-11	O-Ring	1	G-130(129.4xd3.1)	NBR	*
76	029-000-40	Oil Casing	1	LH311W	FCD	
77	142-163-18	Spring Washer	4	M8	SUS304	
78	140-055-10	Hex.Bolt	4	M8x25	SUS304	
79	071-217-15	Shaft Sleeve (2nd Stage)	1	d30xd40x17t	SUS403	
80	122-000-27	O-Ring	1	240xd3.8	NBR	*
81	020-001-21	Pump Casing (Upper/2nd Stage)	1	GHZ-311W(w/Labyrinth Ring)	FC+SUS	includes 026-255-15 Labyrinth Ring
82	142-165-10	Spring Washer	4	M12	SUS304	
83	141-007-10	Hex.Nut	4	M12	SUS304	
84	122-407-15	O-Ring	1	253.59xd3.53	NBR	*
85	040-125-19	Impeller Shim		d31xd45.2x0.5t	SUS304	
86	021-E30-11	Impeller (60Hz)	2	LH311W-60	HiCrFC	
86	021-J99-12	Impeller (50Hz) OPTION	2	LH311W-50	HiCrFC	50Hz OPTION
87	020-855-13	Pump Casing (Lower/2nd Stage)	1	GHZ-311W(w/Mouth Ring)	FC+HiCrFC	
88	140-304-17	Hex.Socket Cap Bolt	4	M12x45	SUS304	
89	122-407-15	O-Ring	1	253.59xd3.53	NBR	*
90	020-856-14	Pump Casing (Upper/1st Stage)	1	GHZ-311W(w/Labyrinth Ring)	FC+SUS	includes 026-255-15 Labyrinth Ring
91	140-303-16	Hex.Socket Cap Bolt	4	M12x40	SUS304	
92	122-407-15	O-Ring	1	253.59xd3.53	NBR	*
93	071-218-16	Shaft Sleeve (1st Stage)	1	d30xd40x40t	SUS403	
94	040-125-19	Impeller Shim		d31xd45.2x0.5t	SUS304	
95	142-133-19	Plain Washer	1	M24	SUS304	
96	141-011-20	Hex.Nut	2	M24(H=14)	SUS304	
97	020-857-15	Pump Casing (Lower/1st Stage)	1	GHZ-311W(w/Mouth Ring)	FC+HiCrFC	
98	140-304-17	Hex.Socket Cap Bolt	4	M12x45	SUS304	
99	144-121-23	Stud Bolt	4	M12x86(20/16)	SUS403	
100	141-007-10	Hex.Nut	4	M12	SUS304	
101	140-268-18	Hex.Socket Cap Bolt	2	M8x20	SUS304	
102	043-100-17	Cathodic Protection Plate	2	DW(50x34x20t)	ZNP	
103	023-001-22	Strainer Stand	1	LH311W-50/60	SS	interchangeable with OLD part# 023-403-11
104	141-005-18	Hex.Nut	2	M8	SUS304	

PARTS LIST		HI HEAD DEWATERING PUMP				10/17/2017
ITEM	PART No.	DESCRIPTION	QTY	SIZE	MATERIAL	NOTES
		Packing O-Ring Set				
	173-471-18	Packing O-Ring Set	1Set	(Marked by *)		
16	122-128-19	O-Ring (S.Box)	1	G-85(84.4xd3.1)	NBR	*
25	121-373-18	Packing (Discharge Pipe)	1	P.C.133xd100x1t	THREE SHEET	*
35	142-298-13	Seal Washer (M.Bracket bolt)	4	SM-12	SUS+NBR	*
42	122-245-13	O-Ring (Upp. Bearing)	1	71.4xd3.1	NBR	*
43	121-422-13	Packing (M.Bracket/Out.Cover)	1	d234.5xd245.9x12.5t	NBR	*
45	121-422-13	Packing (Out.Cover/Brg.Housing)	1	d234.5xd245.9x12.5t	NBR	*
49	122-337-13	O-Ring (M.Bracket/M.Frame)	1	183.74xd3.53	NBR	*
51	142-337-15	Seal Washer (Stator Set Bolt)	1	SM-8	SUS+NBR	*
53	122-431-18	O-Ring (M.Frame/Brg.Housing)	1	171.04xd3.53	NBR	*
57	121-423-14	Packing (Brg.Cover/Brg.Housing)	1	d101xd138x1.5t	NBR	*
64	121-247-12	Packing (Oil Plug)	1	d12.3xd18x2t	PE	*
66	122-334-10	O-Ring (Brg.Housing/O.Casing)	1	170xd3.8	NBR	*
67	142-298-13	Seal Washer (Brg.Housing bolt)	4	SM-12	SUS+NBR	*
75	122-137-11	O-Ring (Brg.Housing/Upp. P.Casing, 2nd Stage)	1	G-130(129.4xd3.1)	NBR	*
80	122-000-27	O-Ring (Brg.Housing/Upp. P.Casing, 2nd Stage)	1	240xd3.8	NBR	*
84	122-407-15	O-Ring (Upp. P.Casing, 2nd Stage/Low. P.Casing, 2n	1	253.59xd3.53	NBR	*
89	122-407-15	O-Ring (Upp. P.Casing, 1st Stage/Low. P.Casing, 2n	1	253.59xd3.53	NBR	*
92	122-407-15	O-Ring (Upp. P.Casing, 1st Stage/Low. P.Casing, 1s	1	253.59xd3.53	NBR	*
		Lubricant		Turbine Oil VG32 800ml		

PARTS LIST		HI HEAD DEWATERING PUMP				10/17/2017
ITEM	PART No.	DESCRIPTION	QTY	SIZE	MATERIAL	NOTES

EXPLODED VIEW LH311W-50/60



C-00213-3